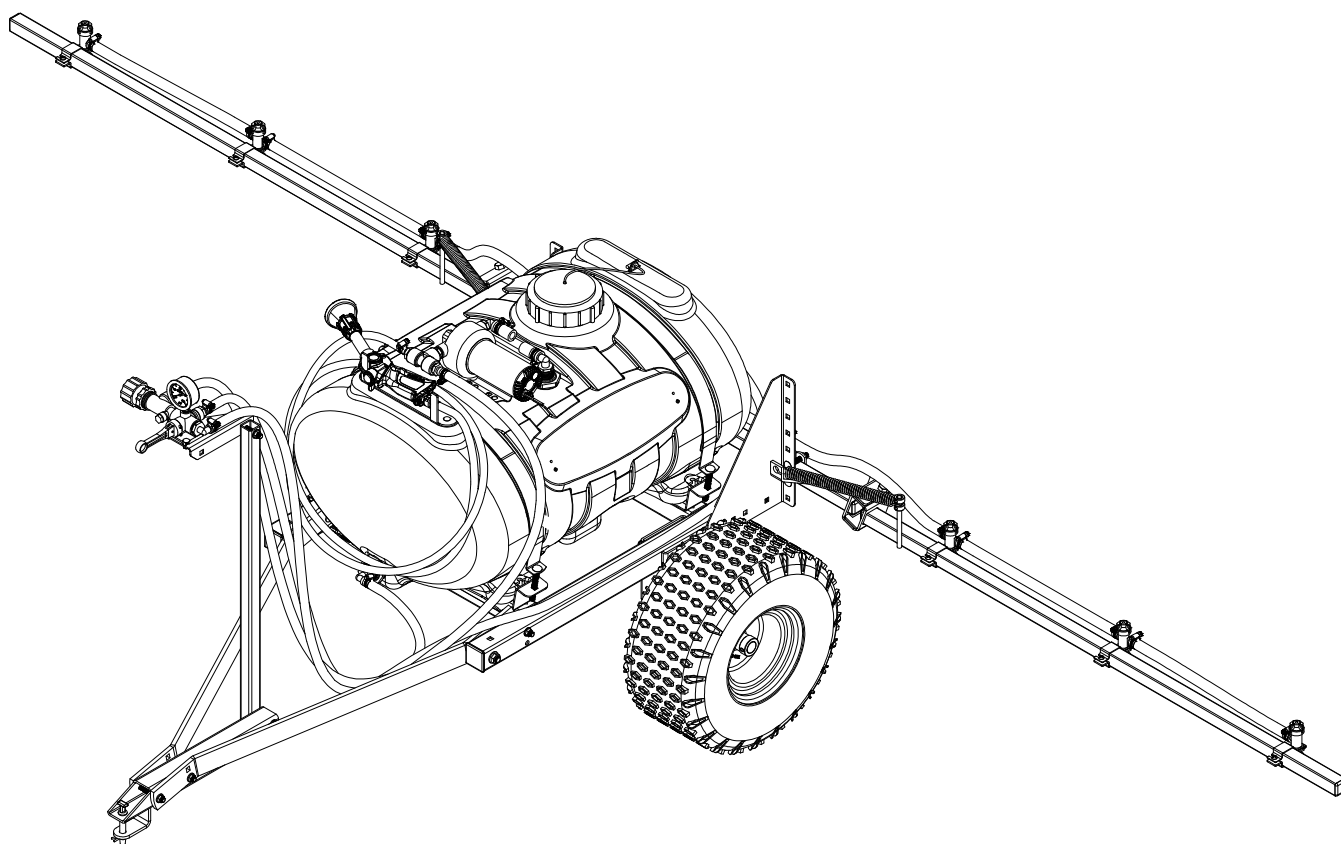


Assembly Manual

ATX-TR Configuration Kit



Manufactured by PBZ LLC
A Paul B Zimmerman Inc. Company
www.CropCareEquipment.com

Assembly Instructions

ATX-TR Box Contents

The ATX-TR conversion kit comes partially assembled and requires some assembly. Use the assembly instructions on page 4 to ensure proper assembly. Before assembling, ensure that the boxes contain the necessary components and parts (Figure 1, below).

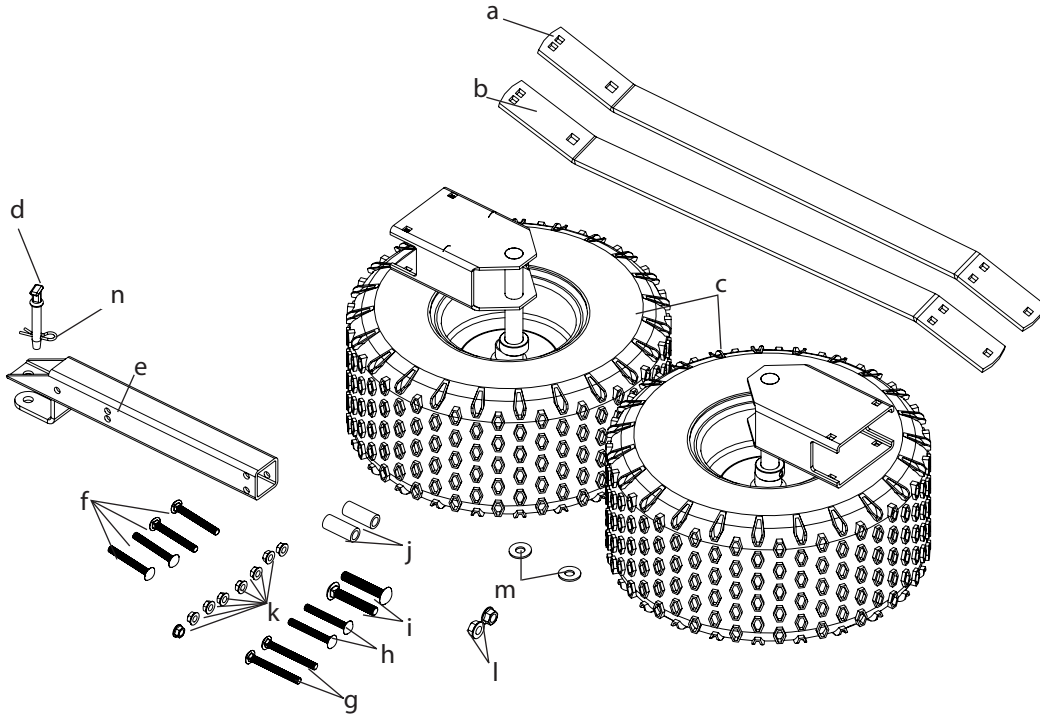


Figure 1: ATX-TR box contents

Item	Qty.	Part Number	Description
a	1	T709	Trailer arm
b	1	T709	Trailer arm
c	2	--	Wheel and axle assembly
d	1	18812	Hitch pin
e	1	T718	Hitch tube
f	4	CB38*312G5	Carriage bolt, 3/8-16 x 3 1/2", grade 5
g	2	CB38*314G5	Carriage bolt, 3/8-16 x 3 1/4", grade 5
h	2	CB38*3G5	Carriage bolt, 3/8-16 x 3", grade 5
i	2	CB12*3G5	Carriage bolt, 1/2-13 x 3", grade 5
j	2	T716	Bolt bushing
k	8	FN38	Flange nut, 3/8-16
l	2	FN12	Flange nut, 1/2-13
m	2	FW12	Flat washer, 1/2"
n	1	CP11516	Clip Pin .125" x 1-15/16" 7/16"E

Assembly Instructions

Assembly

1. Install the boom mounting angles (a) on the sprayer frame in the upright position using one 3/8" x 3" carriage bolt (b), one 3/8" x 1" carriage bolt (c), and two 3/8" flange nuts (d) for each angle, as shown (Figure 2). The plastic cap must be removed to bolt the 3/8" x 1" bolt to frame, the bolt does not go through both frame walls. This bolt is in the base kit, not the trailer kit.
2. Be sure to use the rear set of mounting holes on the boom mounting angles to ensure that the boom will have adequate clearance from the sprayer.
3. The boom mounting brackets, 3/8" x 3" carriage bolts, and 3/8" flange nuts for this task are included in the ATX base kit.
4. Install the axle bracket (a) on the sprayer frame using two 3/8" x 3 1/2" carriage bolts (b) and 3/8" flange nuts (c) as shown (Figure 3).
5. Install the trailer hitch arms (a, b) using one 3/8" x 3" carriage bolt (c) and 3/8" flange nut (d) on the rear mounting hole, and one 1/2" x 3" carriage bolt (e), bolt bushing (f), 1/2" flat washer (h) and 1/2" flange nut (g) on the front mounting hole as shown (Figure 4).
6. Install the hitch tube using two 3/8" x 3 1/4" carriage bolts (a) and two 3/8" flange nuts (b) as shown (Figure 5).
7. Install the control post assembly (c) (from sprayer base kit) on the hitch tube using the two 3/8" x 3 3/4" carriage bolts (d), and 3/8" flange nuts (e) (both from sprayer base kit) as shown (Figure 5).
8. Be sure that the hitch pin (f) is in place (Figure 5).
9. Install the hose and clamps as shown (Page 5). Hose and clamps are included in the ATX base kit.
10. Route the pump wire harness as shown (Page 5).
11. Secure the hoses and wire harness with wire ties as shown (Page 5).

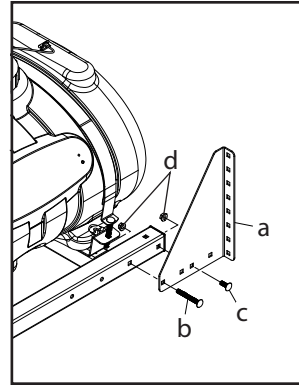


Figure 2: Installing boom mounting angles

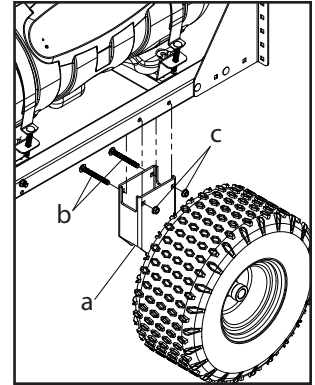


Figure 3: Installing axle bracket and wheel

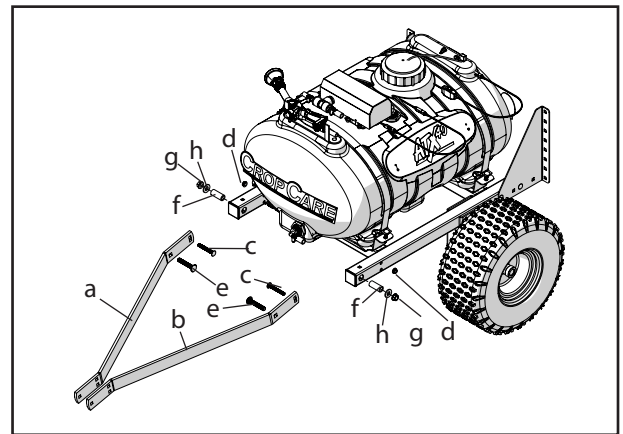


Figure 4: Installing trailer arms

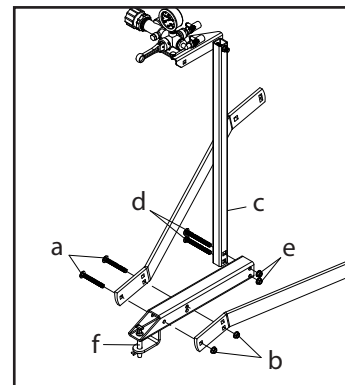
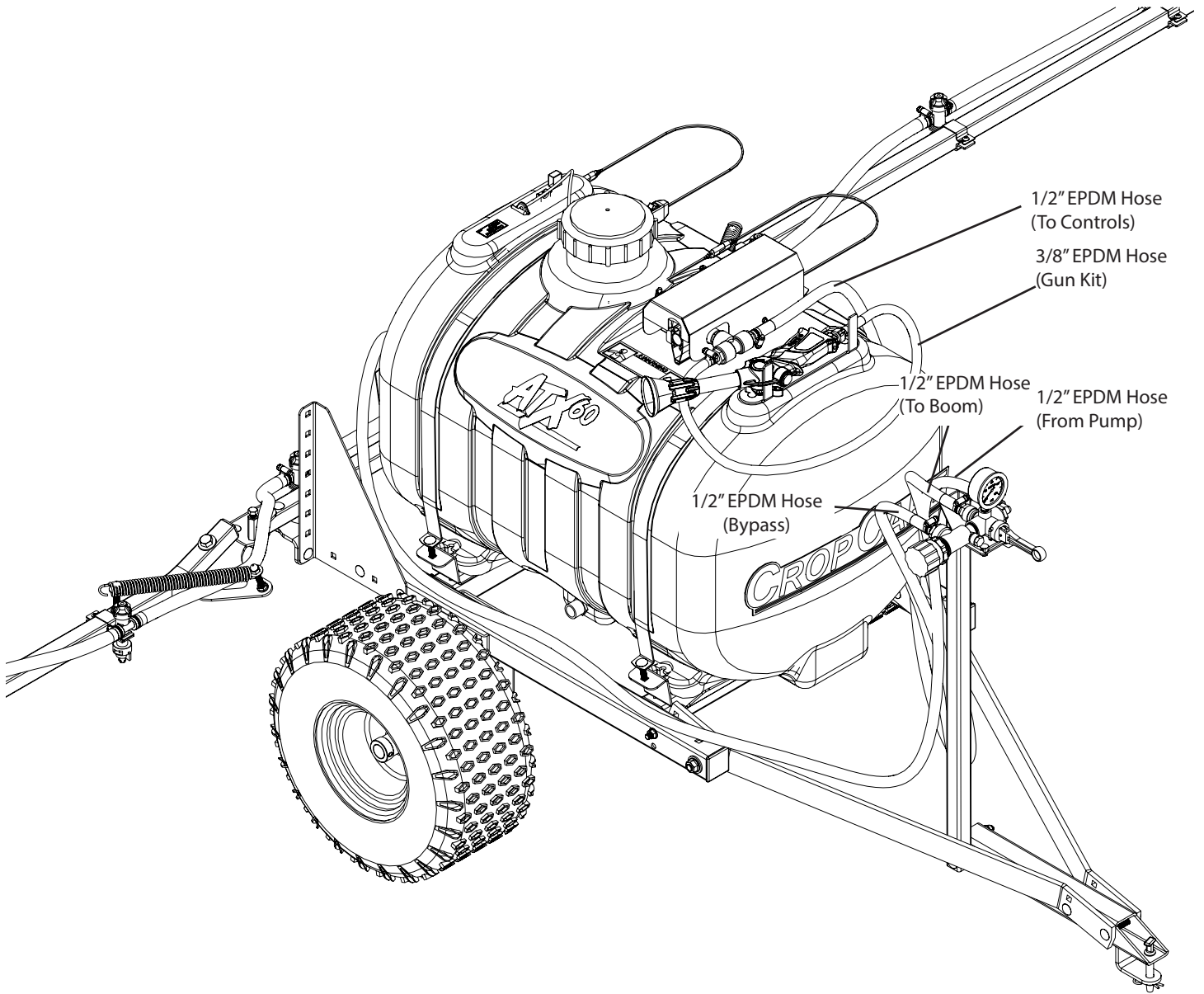


Figure 5: Installing the hitch tube

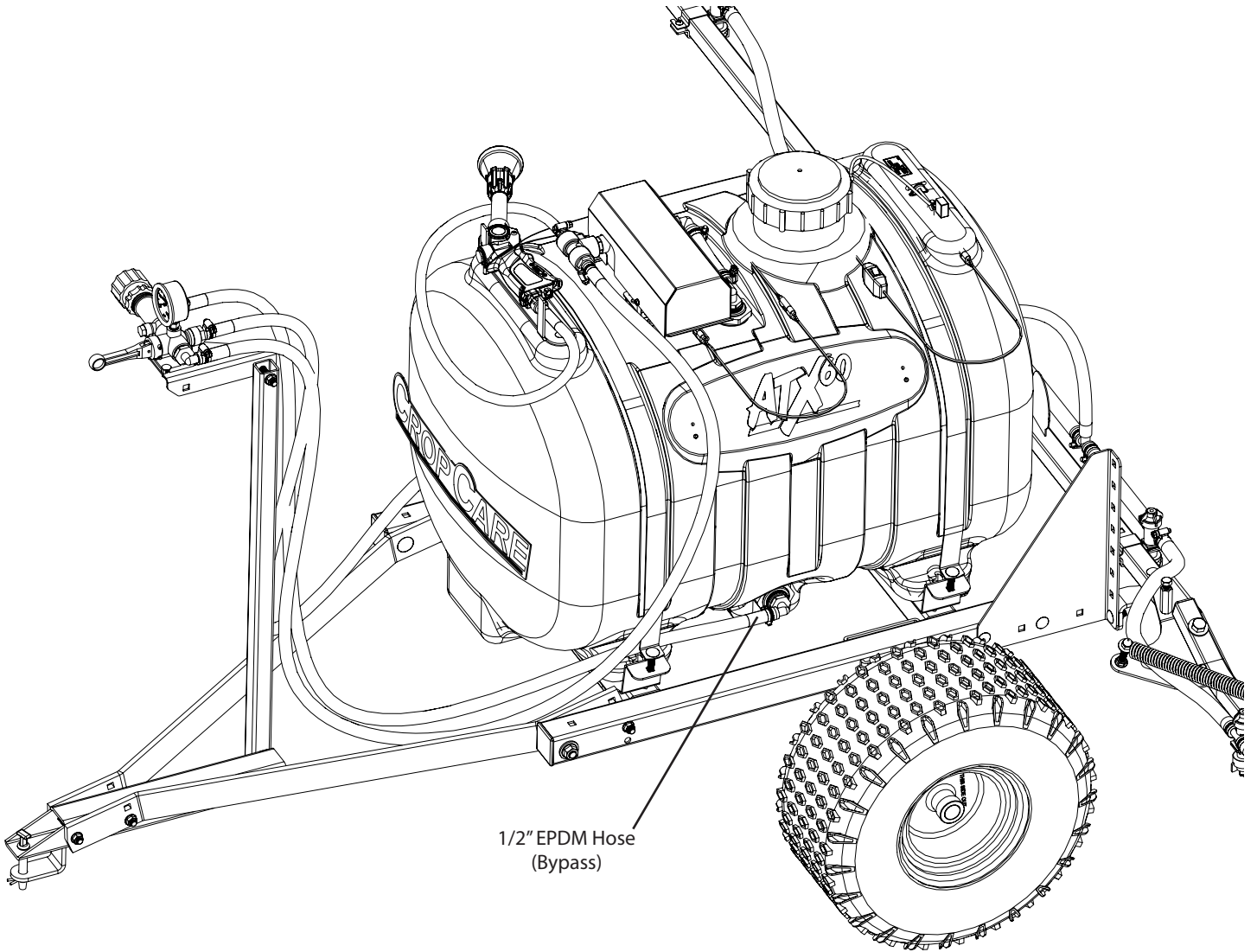
Assembly Instructions

Hose & Wire Harness Routing



Assembly Instructions

Hose & Wire Harness Routing



Hitching Instructions

Hitching the Trailer

1. Attach the sprayer to the ATV or utility vehicle using the included hitch pin (a) (Figure 6).
2. For optimal performance and stability, be sure that the hitch tube is properly adjusted so that the spray tank is level.
3. There are adjustment holes on the trailer hitch arms (a), the sprayer frame (b), and the hitch tube (c) (Figure 7). Use any combination of these holes to achieve the desired hitch position.
4. The hitch tube can also be flipped upside down if a higher hitch placement is desired.

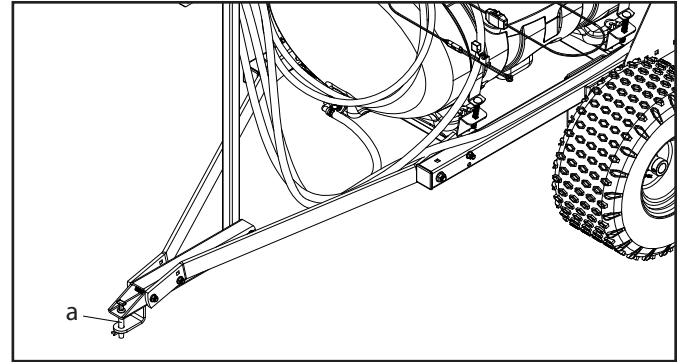


Figure 6: ATX-TR mounting

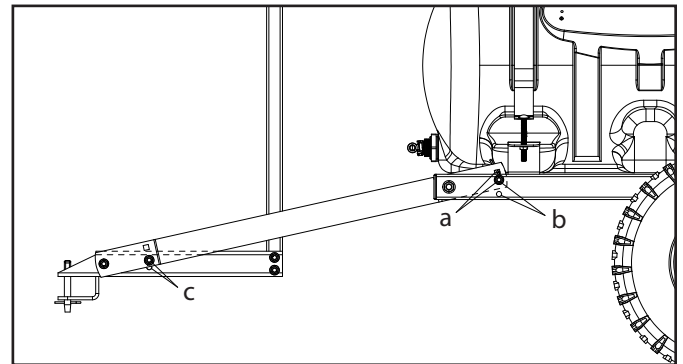


Figure 7: ATX-TR hitch adjustment

Wiring Harness

1. The pump wiring harness (a) has a 2-pronged plug. This wiring harness needs to be connected to the switch wiring harness (b) which includes the control switch. Make sure the wire colors match (Figure 8).
2. The switch wiring harness (b) needs to be connected to the battery wire harness (c) which includes the 25 amp fuse (d). Make sure the wire colors match (Figure 8).
3. The battery wire harness needs to be connected to a 12 volt DC power source. Connect the red wire to a positive power source either to the vehicle's battery terminal or at a power access point with at least 25 amp capability. The black wire needs to be connected to a good ground source or to the negative terminal of the battery.

Note: The end of the wiring harness with the ring terminals (d) is detachable and can be left attached to the battery for convenience purposes.

4. Ensure that the power source is adequate, since an inadequate power source could cause numerous problems with your sprayer. If you are using a power access point, ensure that it has at least 25 amp capability.
5. You now need to place the switch in a location where it is easily accessible for operation. Secure it so that it cannot fall or become entangled and cause damage.

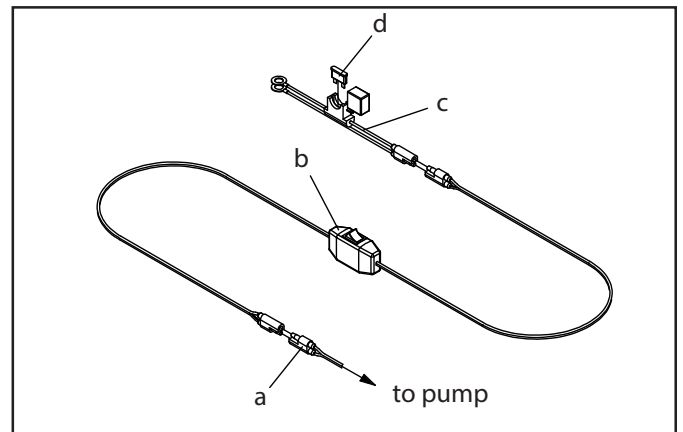
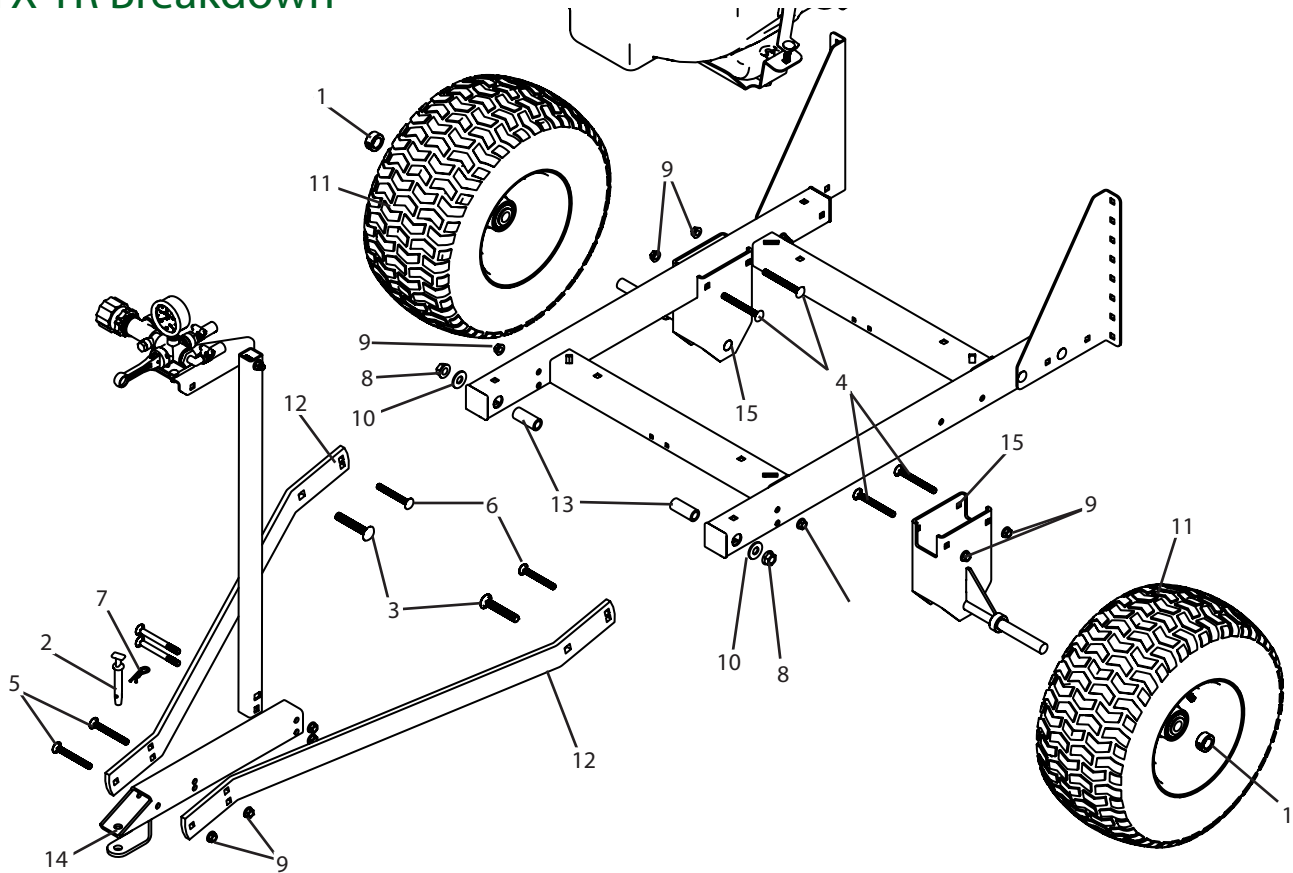


Figure 8: Wiring Harness

Note: Use caution when routing the wiring harness to avoid areas where the wires can be pinched, rubbed, or exposed to excessive heat.

Breakdown & Parts List

ATX-TR Breakdown



ATX-TR Parts List

Ref #	Qty.	Part Number	Description
-	-	N/A	* Components of ATX Base Unit
1	2	0750P	Shaft Collar, 3/4"
2	1	18812	Pin, Hitch T-Handle 1/2" x 2-1/4"
3	2	CB12*3G5	Bolt, Carriage 1/2-13 x 3" Gr 5
4	4	CB38*312G5	Bolt, Carriage 3/8-16 x 3-1/2" Gr 5
5	2	CB38*314G5	Bolt, Carriage 3/8-16 x 3-1/4" Gr 5
6	2	CB38*3G5	Bolt, Carriage 3/8-16 x 3" Gr 5
7	1	CP11516	Clip Pin .125" x 1-15/16" 7/16"E
8	2	FN12	Nut, Flange 1/2-13
9	8	FN38	Nut, Flange 3/8-16
10	2	FW12	Washer, Flat 1/2" USS
11	2	KT022	Lawn Trailer, Wheel 18x850-8, 4Ply Turf Rider, 20mm Bearing
12	2	T709	Trailer arm (left or right)
13	2	T716	Bushing, Bolt
14	1	T718	Hitch tube
15	2	T733	ATX Trailer Axle Bracket

* See ATX sprayer owner's manual for base kit breakdown

** Individual part included in a complete assembly

Notes: